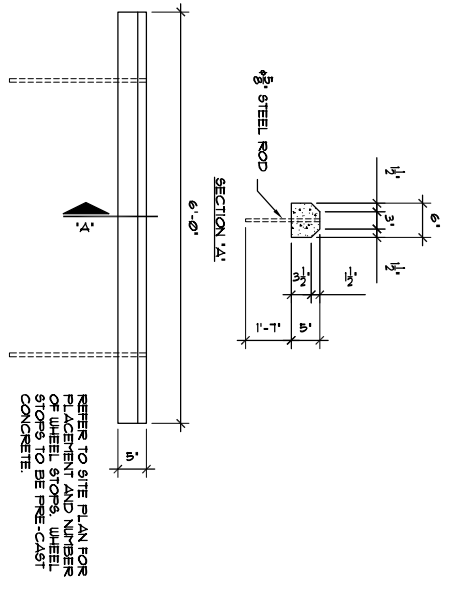
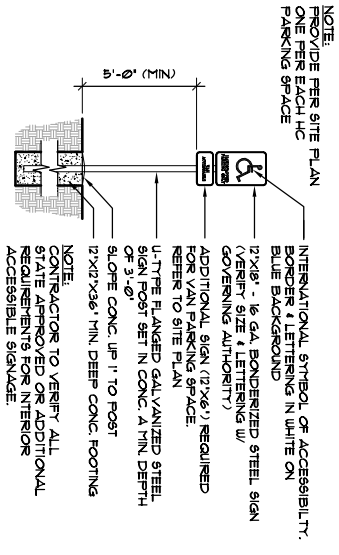


NOT FOR REGULATORY APPROVAL, PERMITTING OR CONSTRUCTION.

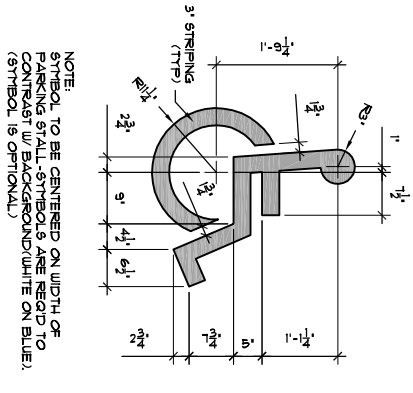
REGISTRANT: F. DUANE FREEMAN DATE: 12/10/07



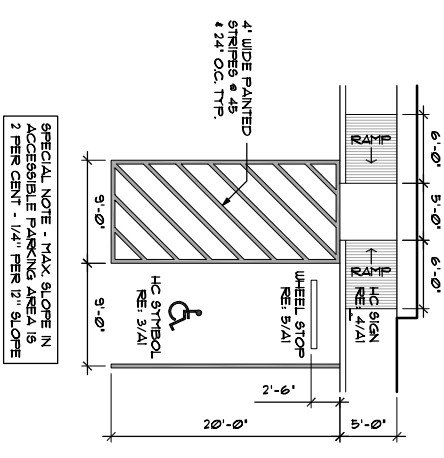
WHEEL STOP DETAIL 5



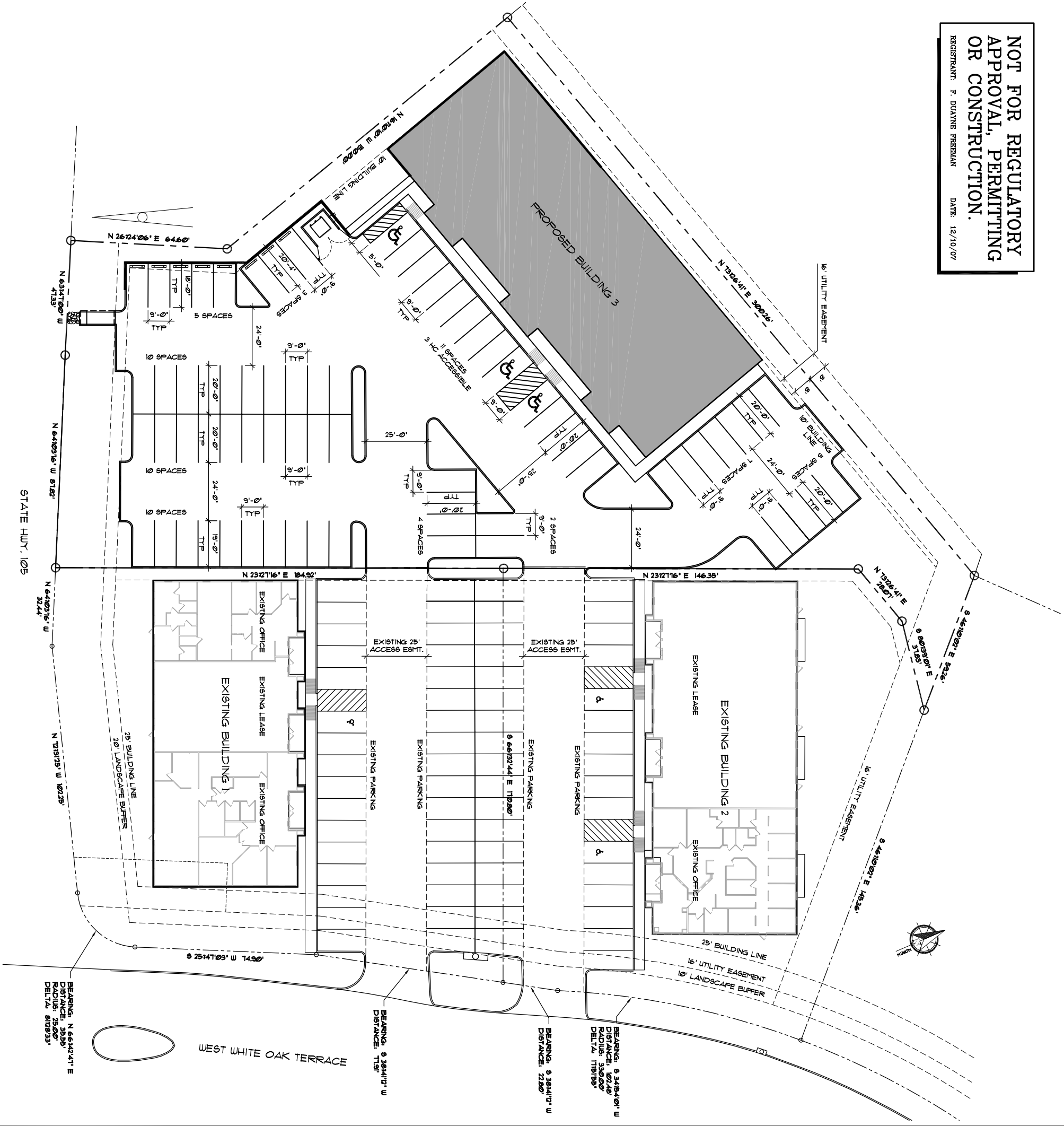
HC SIGN DETAIL 4



HC SYMBOL DETAIL 3



HC PARKING 2



SITE PLAN 1

REVISIONS		
No.	Date	Description

PROJECT NAME

GATEWAY PLAZA
Conroe, Texas

NOTE: IF THIS SHEET SIZE IS 18" x 18", THE DRAWING SCALE IS ONE-HALF SCALE AS SHOWN.



F. FREEMAN ASSOCIATES INC.
ARCHITECTS

672 NORTH FRAZIER, SUITE 206 • CONROE, TEXAS 77301
PHONE: (336) 768-3666 • FAX/EMAIL: (336) 448-7777

Project No: 207-65
Plot Date:
Issued For:
Review Pricing Construction
Drawn By: **LNR**

Sheet Title:
SITE PLAN

A1.0